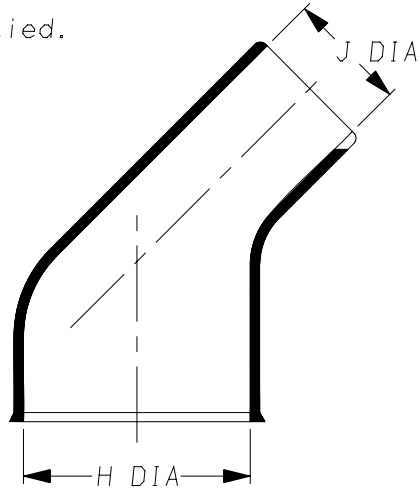
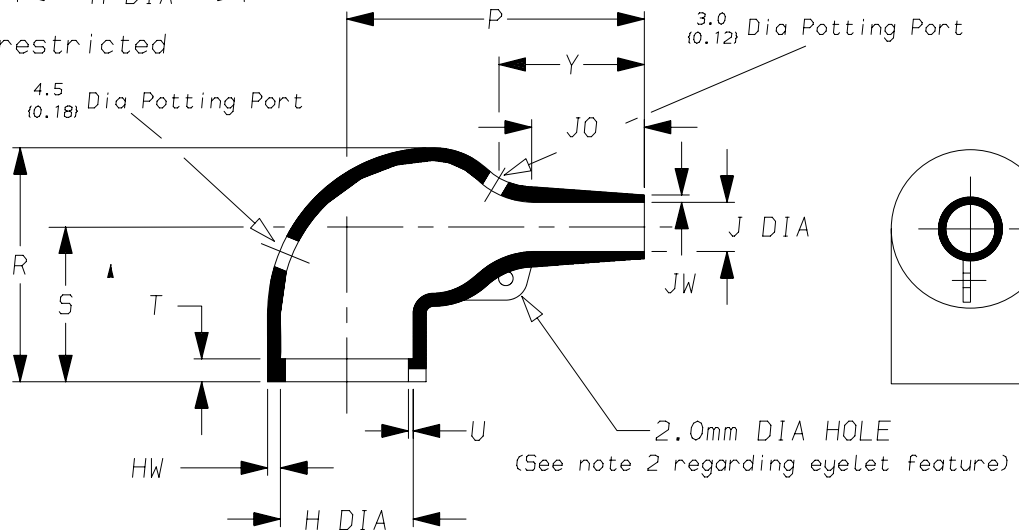


a) Part as supplied.



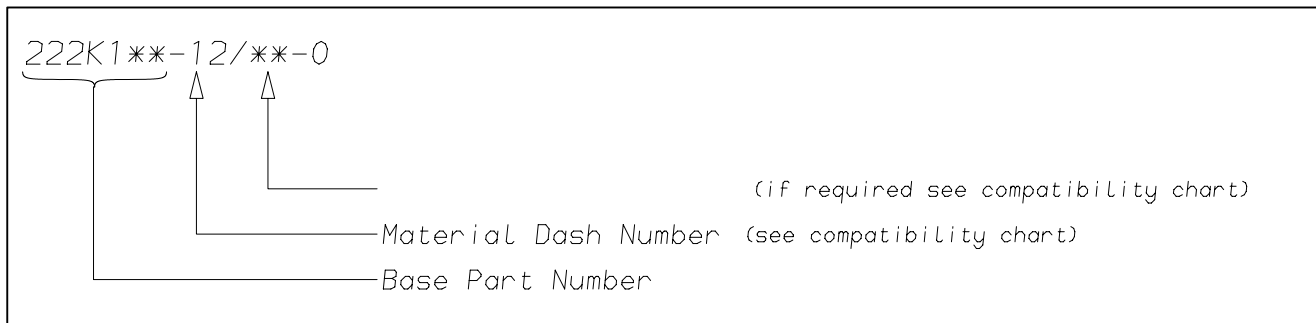
b) Part after unrestricted recovery.



DIMENSIONS in millimetres
{in inches, for reference}

Part No.	a		b		b	b	b	b	b	b	b	b	X	Y
													±20%	±20%
222K121	24 {0.94}	10.4 {0.41}	14 {0.55}	5.6 {0.22}	25 {0.98}	25 {0.98}	19 {0.75}	3.0 {0.12}	1.0 {0.04}	8.5 {0.33}	1.3 {0.05}	0.5 {0.02}	18 {0.71}	16 {0.63}
222K132	30 {1.18}	14.2 {0.56}	15 {0.59}	5.9 {0.23}	32 {1.26}	27 {1.06}	20 {0.79}	3.0 {0.12}	1.0 {0.04}	8.5 {0.33}	1.5 {0.06}	0.8 {0.03}	18 {0.71}	20 {0.79}
222K142	31 {1.22}	18.0 {0.71}	18 {0.71}	7.1 {0.28}	39 {1.54}	31 {1.22}	21 {0.83}	3.0 {0.12}	1.0 {0.04}	15.0 {0.59}	1.8 {0.07}	1.0 {0.04}	18 {0.71}	20 {0.79}
222K152	36 {1.42}	22.4 {0.88}	21 {0.83}	8.4 {0.33}	46 {1.81}	38 {1.50}	26 {1.02}	3.0 {0.12}	1.0 {0.04}	16.0 {0.63}	1.8 {0.07}	1.0 {0.04}	25 {0.98}	25 {0.98}
222K163	43 {1.69}	28.2 {1.11}	25 {0.98}	9.9 {0.39}	55 {2.17}	45 {1.77}	30 {1.18}	3.0 {0.12}	1.7 {0.07}	17.5 {0.69}	2.0 {0.08}	1.0 {0.04}	25 {0.98}	30 {1.18}
222K174	60 {2.36}	35.1 {1.38}	?	15.7 {0.62}	80 {3.15}	54 {2.13}	35 {1.38}	3.0 {0.12}	1.7 {0.07}	32.0 {1.26}	3.3 {0.13}	1.5 {0.06}	25 {0.98}	45 {1.77}
222K185	66 {2.60}	44.5 {1.75}		16.8 {0.66}	108 {4.25}	68 {2.68}	42 {1.65}	3.0 {0.12}	2.0 {0.08}	48.0 {1.89}	3.8 {0.15}	2.0 {0.08}	35 {1.38}	70 {2.76}

Iss.	Date	E.C.R. No.	Details of Change
8	November 1990		222K174 Ha was 52
9	October 2006	CR06-HM-011	Eyelet note added to page 1
9	October 2006	CR06-DM-104	Material description name changed
10	March 2008	CR08-HM-008	222K185 was typed as 202K185



COMPATIBILITY CHART

Material Dash Number	Material Description	SPEC Number	Coating Slash Number
-12	FLUOROELASTOMER, FLEXIBLE	RT-1312,	/225

NOTES

- ① Potting Ports are optional, when specified by suffix "-00" they will be located as shown.
- ② If eyelet feature is required, add CS-1863 to description:-
222K132-12-CS-1836-0
If eyelet feature and clip is required, add CS-1858 to description:-
222K132-12-CS
- ③ As supplied dimensions are for uncoated parts, when coating is added entry diameters will reduce by 1.5mm Max.