

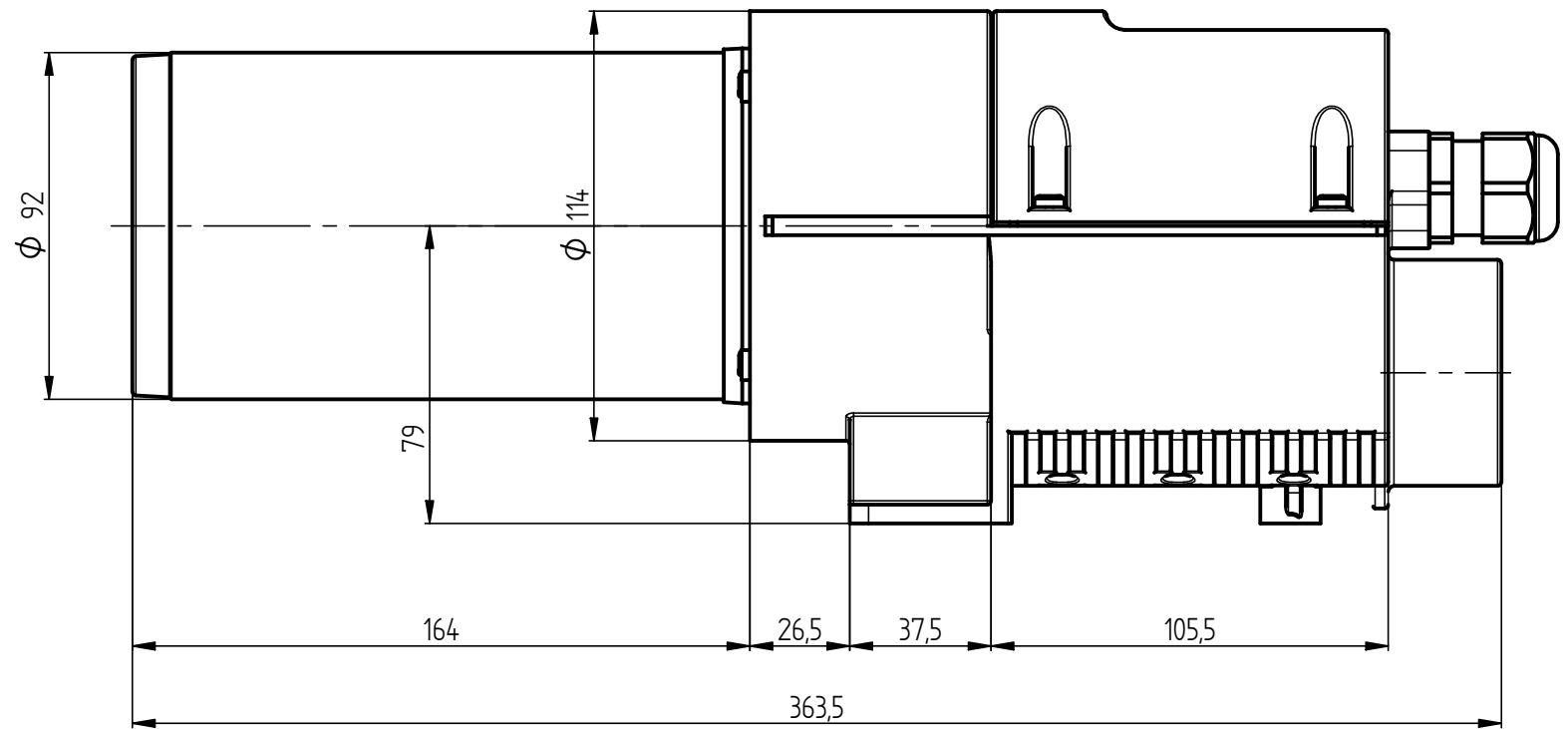
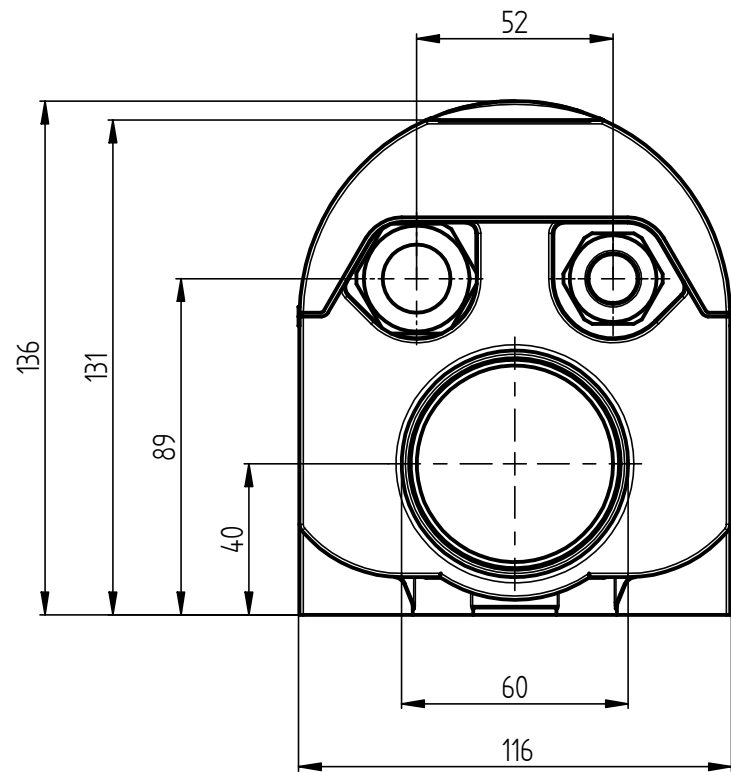
A

B

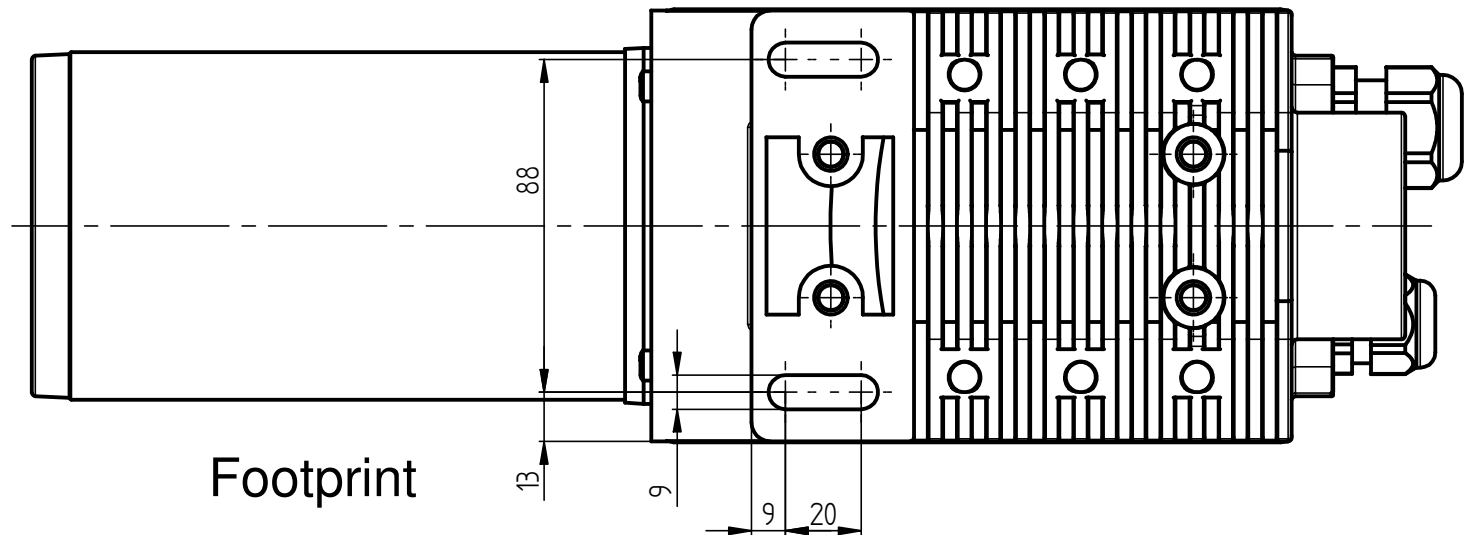
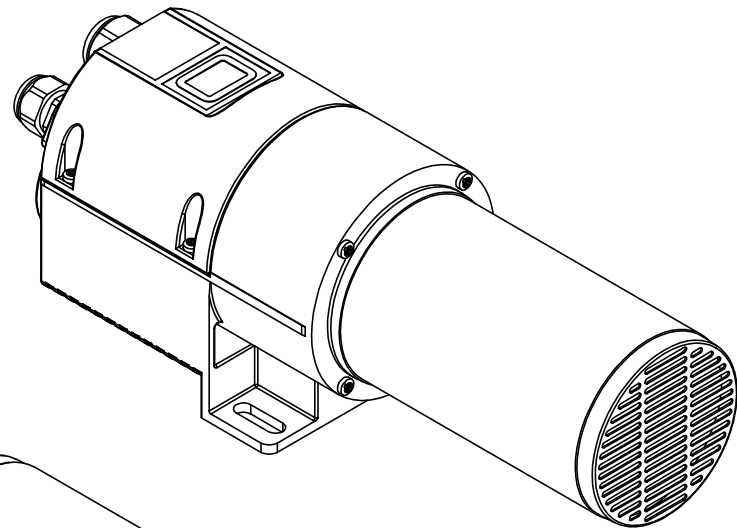
C

D

1

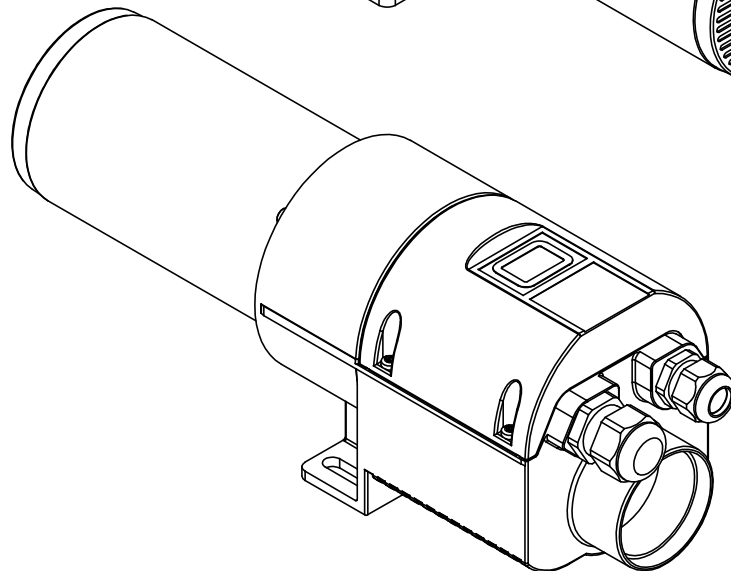



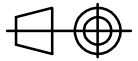
2



Footprint

3



 PROCESS TECHNOLOGIES		LHS Classic 61L		Sheet
				1
Format Scale				of
				1
A3	1:2			Revision
				A