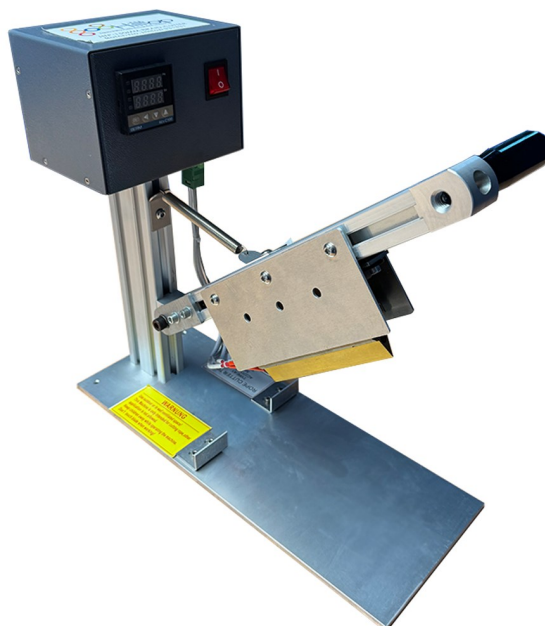


# Heavy Duty Hot Knife Webbing Cutter 150mm

## Features:

- Temperature controlled (Resettable and Adjustable)
- Working Temperature up to approx 480°C (900°F)
- Aluminium Frame (Light and Strong)
- Blade length - 150mm
- Gross Weight: 5.5Kg

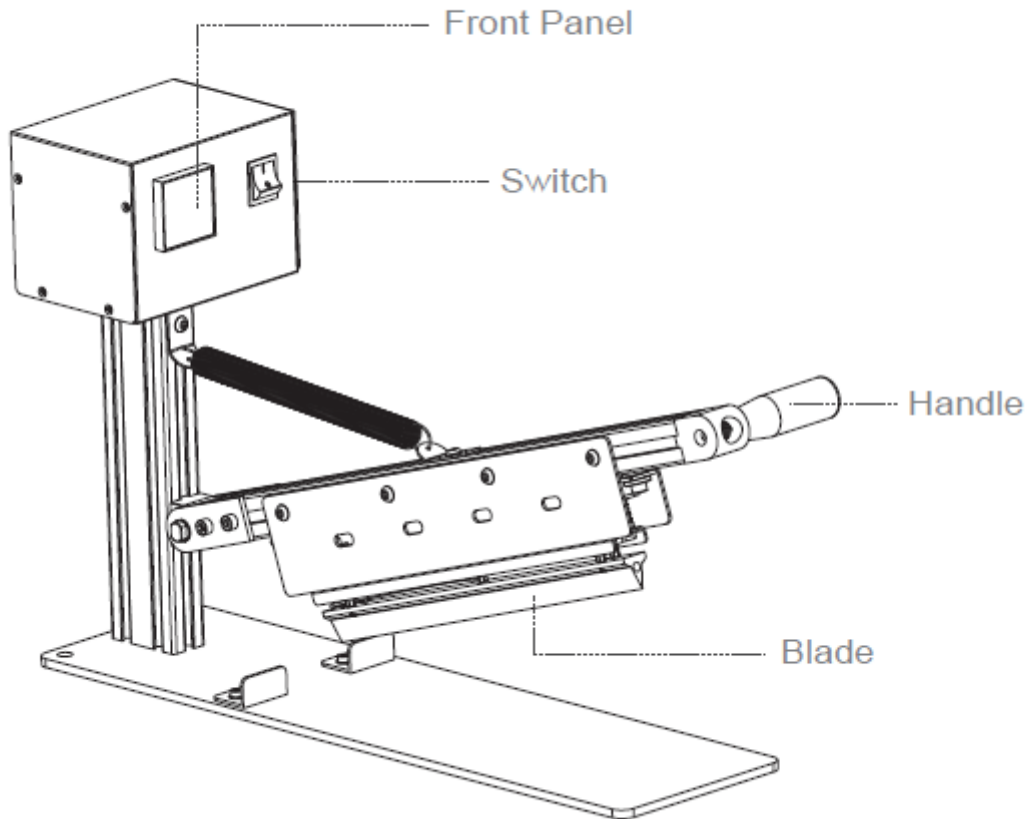
Technical Specifications	
Product Series	A1
Certificate	CE
Power	300W
Max Cutting Width	150mm
Blade	P1500099
Gross Weight	5.5kg
Optional Parts	<p>Heavy Duty Hot Knife Cutter Heating Tube 150mm</p> <p>Heavy Duty Hot Knife Webbing Cutter Replacement Blade 150mm</p> <p>Spare Mounting pillars for Heavy Duty Hot Knife Webbing Cutter 150mm</p> <p>Replacement spring for Heavy Duty Hot Knife Webbing Cutter 150mm</p>



**Heavy Duty Hot Knife Webbing Cutter**

# Heavy Duty Hot Knife Webbing Cutter 150mm

## Operational Instructions

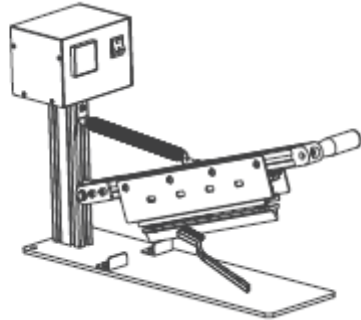


Suitable for cutting all types of chemical fibre fabrics, non-woven fabrics, banner fabric and polypropylene (PP) rope. PP rope, polyester ropes. Ideal for use in factory decoration companies, advertising companies, and for wall fabric cutting and heat-sealing operations.

# Heavy Duty Hot Knife Webbing Cutter 150mm

## Method of Application

Residue buildup can impair the tool's cutting performance and may even affect the electrical conductivity of the blade and blade holder. Gently heat the blade, then use the complimentary brush to remove any residue.



## Instructions for Use

When installing the blade, do not turn on the power supply. Switching on the power may cause the blade to heat instantly, which could result in burns. After use, ensure the blade has completely cooled before handling to prevent injury.

## Troubleshooting

**Q: Suddenly, the blade of my machine no longer heats up. What could be the problem?**

A:

- Check that the heating rod is properly installed.
- Check whether the blade is correctly installed and not loose.
- Check whether the voltage supply is normal.
- Check whether there is any residue on the blade.

**Q: Why is the blade temperature not hot enough?**

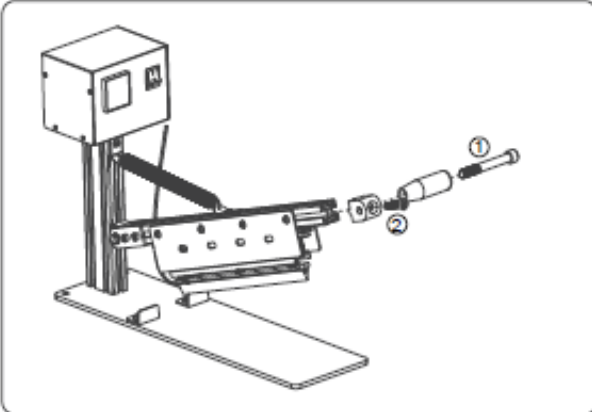
A:

- Check whether the cross screws holding the blade are too tight.
- Check whether the voltage and current shown on the digital display are normal.

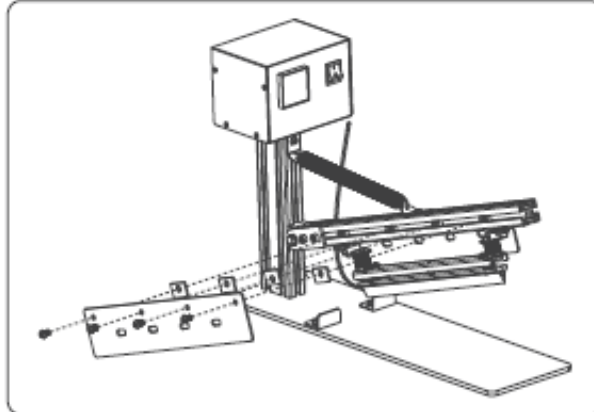
# Heavy Duty Hot Knife Webbing Cutter 150mm

## Installation Instructions

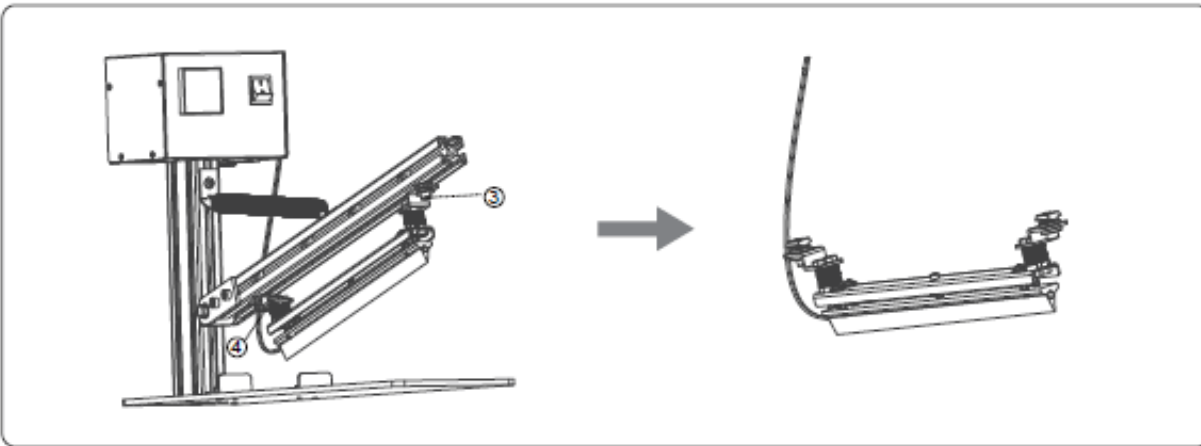
### Replacement of Blade and Heating Tube Components



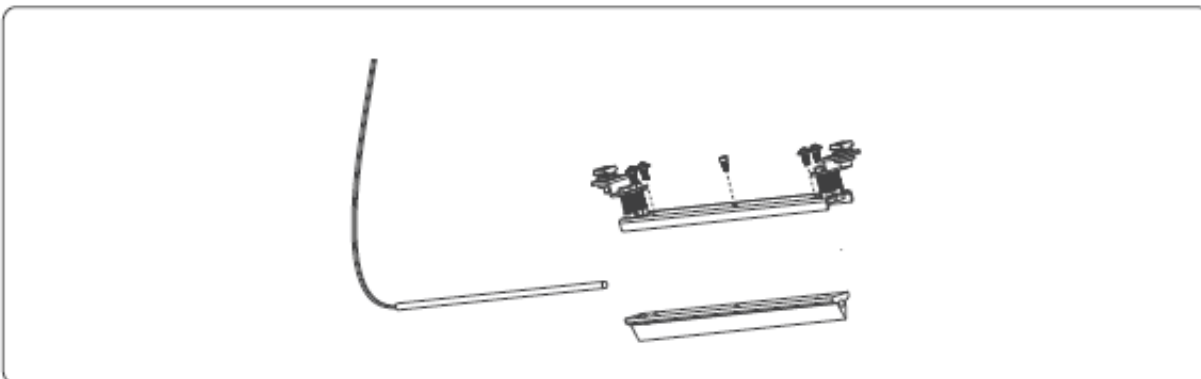
1. Loosen the screws marked ① and ② on the diagram to remove the handle.



2. Unscrew the screws and remove the side panel.



3. Release the screws marked ③ and ④ to extract the blade holder assembly.



4. Loosen the screws to replace the heating tube and blade.

# Heavy Duty Hot Knife Webbing Cutter 150mm



## Safety Caution

### Warning!

- Before cutting any material, carefully read the flammability and toxicity information provided by the material manufacturer.
- When using this tool indoors, operate it in a well-ventilated area or use suitable ventilation equipment.
- Turn off the electric knife when it is not in use.
- Continuous operation may cause the blade to overheat and deform.
- Use the supplied wire brush to clean residue from the blade.
- Do not allow the hot blade to come into contact with skin, clothing, or other flammable materials, as this may cause fire or injury.
- Do not allow children or anyone under 18 years of age to operate this tool.
- Keep this tool out of the reach of children at all times.
- Only touch the blade after it has completely cooled down.
- When not cutting materials, do not secure or tie the switch to allow continuous operation.
- Damage caused by improper or unauthorized use is not covered by the warranty.
- There is a risk of electric shock if the machine is disassembled. Non-professionals must not open or repair the machine.